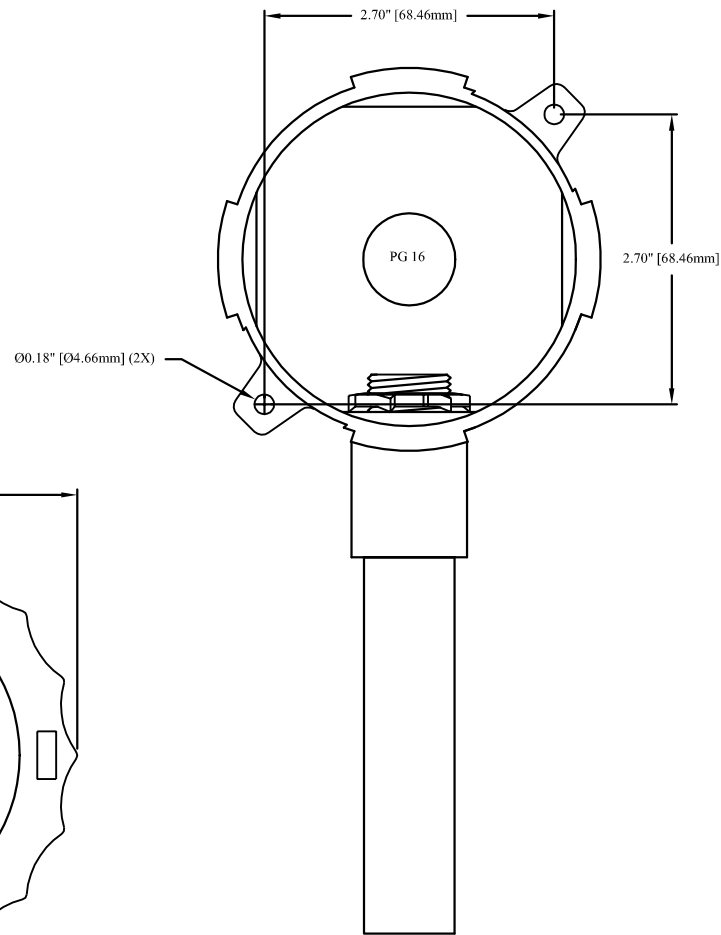
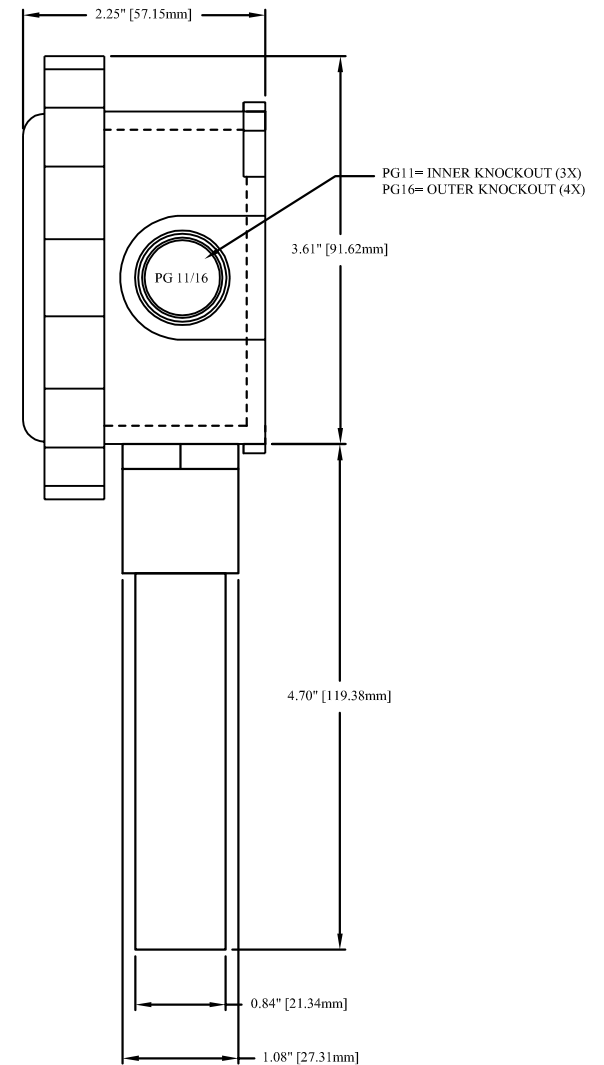


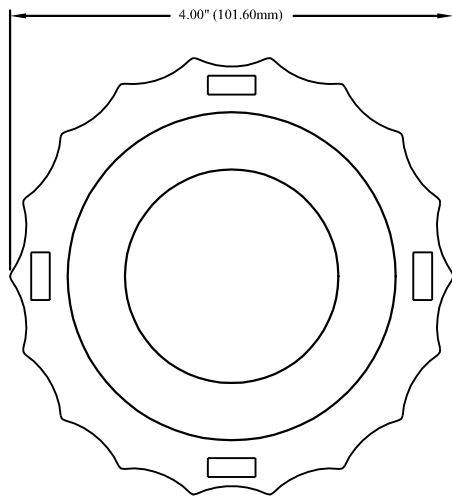
Top View, No Cover:



Side View:



Cover:



TOLERANCE: (UNLESS NOTED)
 3 PLACE DECIMAL = ±0.010
 2 PLACE DECIMAL = ±0.130
 1 PLACE DECIMAL = ±0.300
 ALL DIMENSIONS IN in[mm].
 DRAWING NOT TO SCALE.

WARNING!
 CONFIDENTIAL
 INFORMATION--
 PROPERTY OF ACI.
 UNAUTHORIZED USE
 STRICTLY FORBIDDEN.

ACI
 Automation Components, Inc.

DRAWING NUMBER
 M0000003

DATE	DESCRIPTION	DRAWN BY	APPROVED BY	DRAWING NUMBER	REV
11-12-07	OUTSIDE TEMP w/EURO BOX	DJK	TJD	M0000003	2